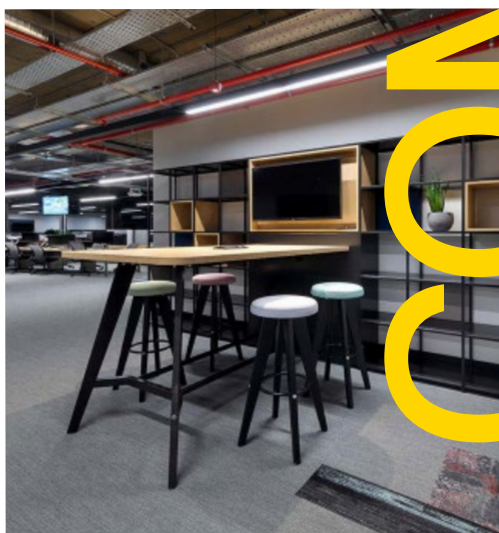




Quick Overview SL2



WELCOME TO OUR WORLD

Staverton has a longstanding history in office furniture design. We are recognised for bringing form, function and flexibility together without compromise. By involving our clients at every stage of the work process, we find –together– the right solution for their specific needs.

British and proud, we have a manufacturing facility in South Yorkshire and a showroom in Clerkenwell, London. With the latest BAZ processing machinery recently installed, the factory has more than 38,000 sq ft of space for manufacture and assembly and ample room for our design team to turn client requirements into fully developed designs.

Staverton's skilled team of professionals is committed to delivering the highest quality requirements: our products are designed to achieve FIRA's gold standard, the world's leading independent furniture testing centre. Our bespoke approach, innovative design and collaborative method have earned us a name as a responsible and reliable award-winning British manufacturer.

We comply with all industry regulations, including the supply of responsibly sourced wood, on-site personnel safety and conduct, quality control, and adherence to management standards such as ISO 9001, ISO 14001, BSI Membership, Safe Contractor Certificate, FIRA Gold Certificate, FISP Membership and FSC Certificate.



012



The mark of responsible forestry



POSITIVE CHANGE



We need to be the change we want to see. Leading by example while learning from others is the best way to drive change.

Business as usual is no longer enough. Nor is merely complying with regulations. We must do more than is expected of us. We need to improve each day. We need to understand our whole impact on the world. And we need to work together to ensure that we learn from each other and drive change.

There is an onus on us not just as manufacturers and designers of products but as individuals. Sustainability can be designed into systems and products, but the real change we need to see is in our attitudes and behaviours. We are all in this together and we all have a role to play.

[Join Us](#)

Respect for the environment is in Staverton's DNA. We care for our setting by creating sustainable, environmentally friendly products.

| | | | | | | |
|---|---|--|--|--|---|--|
| <p>100% Recyclable Material</p> | <p>100% Recycled Material</p> | <p>100% Recyclable Material</p> | <p>60-80% Recycled Material</p> | <p>100% Recyclable Material</p> | <p>30-40% Recycled Material</p> | <p>All 100% Recyclable Material</p> |
| <p>Frame, Legs and Brackets (Mild Steel)</p> | <p>FSC Certified Worksurfaces (MFC Wood)</p> | <p>Actuators and Control (Height Adjustable Actuators Column Motor Drive)</p> | <p>Edging (ABS)</p> | <p>Screen Upholstery Fabric (Polyester)</p> | <p>Screen Trim (Virgin PVC Anchor)</p> | <p>Electrics (Powerbar, Power Unit Interconnector Lead)</p> |
| <p>Packaging (Cardboard)</p> | | | | | | |

Standing 15 minutes per hour helps to lose weight, improves mental health, and makes people happier.



Invest in Wellbeing

Made up of simple lines, our standard SL workstations are characterised by their minimalist lightweight design. They're ideal for open-plan offices and make maximum use of space in compact workplaces.



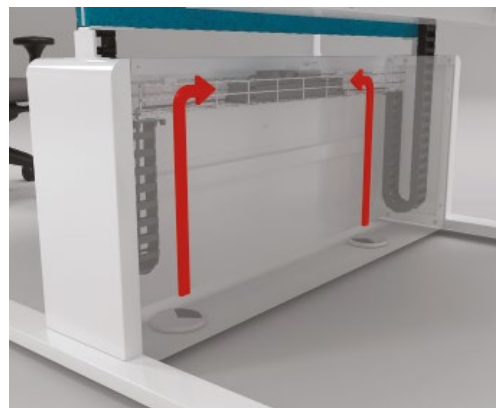
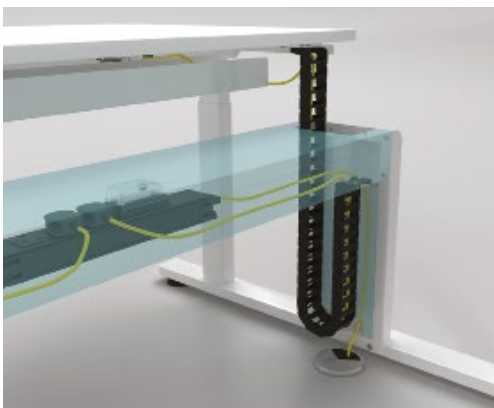
The upgradable SL workstations also feature a versatile cable management 'bridge' that helps to integrate hardware and power and data services within the furniture.

SL2 workstations feature state-of-the-art technology especially designed to positively affect health and well-being.

The Bridge

A great feature on Staverton's SL workstation is the optional cable management 'bridge' that can be fitted on the bench. The 'bridge' is a retrofittable item that accommodates power bars, PDUs and GOP boxes.

The 'bridge' can be further enhanced by adding vertical-cladding panels to form a secure bulk-capacity cable riser along the full width of the bench, masking all floor cable outlets from view.



Workstations Linking



The desks can be used both independently or connected to form long benches – making them ideal for individual working and collaborative projects – the SL range encourages flexibility, with the ability to grow with the workforce.

All SL bench workstations can be equipped with an intermediate upstand column that allows them to be linked together side by side. The removable panels on the column also provide easy access to the cables.

Unleash the Full Potential of Your Workforce



Designed for innovative companies, these highly functional workstations can be customised with a variety of colours and finishes to complement any workplace.

Product Main Features

Minimal light-weight framework.

Optional 18mm top facilitates the use of a variety of finishes.

Versatile cable management bridge.

Workstations can be connected to form long benches.

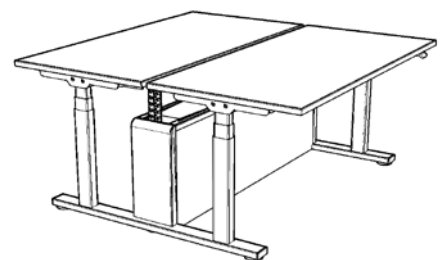
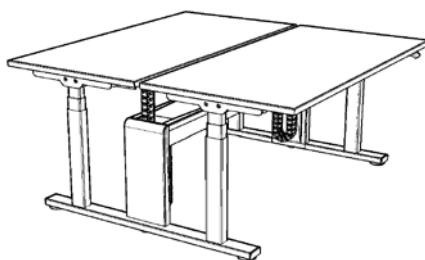
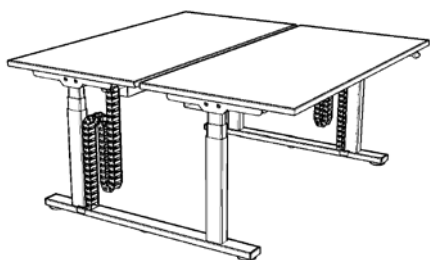
Caterpillar-style, vertical cable riser prevents cable damage.

Worksurface control right from the desk or mobile phone.

Optional user-settable memory positions for desk height.

Users can choose how many minutes to stand each hour or how many calories to burn.

Typical Bench Configuration

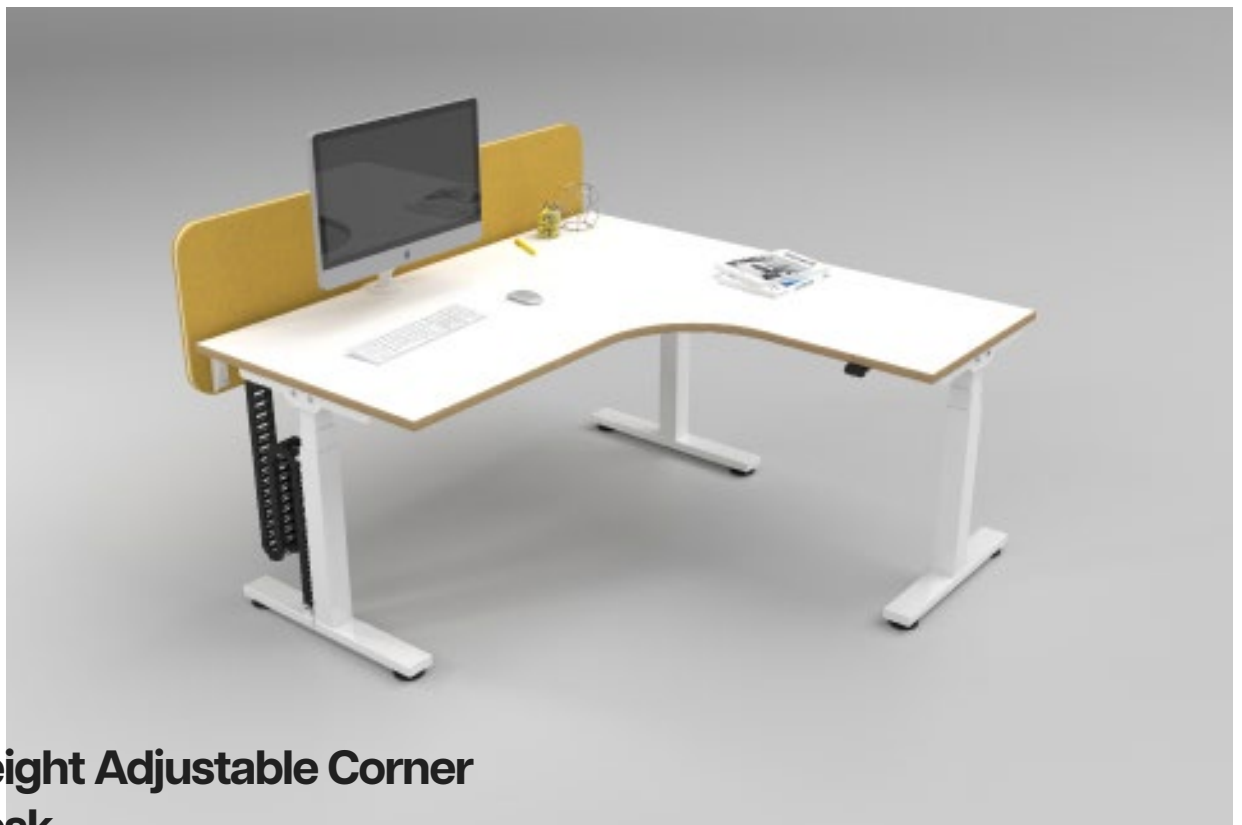


Height adjustable back-to-back benches showing different cable management options.

Typical Desk and Corner Desk Configurations



Height Adjustable Desk



**Height Adjustable Corner
Desk**

Fabric Band Information

Fabric Band B



Camira Lucia

Fabric Band C



Camira Blazer Lite

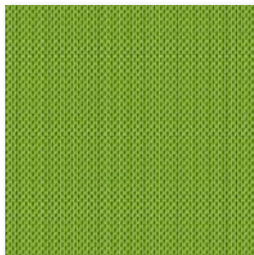
Fabric Band E



Camira Blazer



Camira Synergy



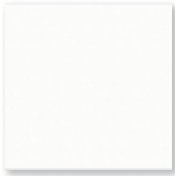
Camira Nexus

Notes

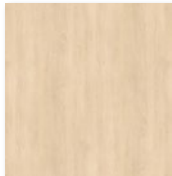
All fabrics are foam backed with 2mm or 3mm foam backing (as appropriate) to achieve the best possible finish and feel.

Finishes

Standard Worksurfaces and ABS Edge Finishes (25mm Thick Melamine)



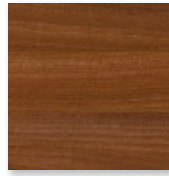
Traffic White
W1000



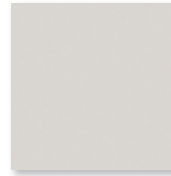
Sand Birch
H1732



Oak
D1929



Walnut
H3704



Light Grey
U708

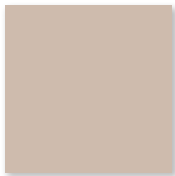


Dust Grey
U732



Anthracite
U164

Special 36x Plain Colours Available¹ on 18mm Worksurfaces E.g:



Cappuccino
U3053



Coral
U7110



Rose
U325



Sand Yellow
U125



Sage Green
U638



Tyrolean Blue
U504



Turquoise
U159

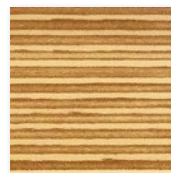
Contrast Edging



Black
U999

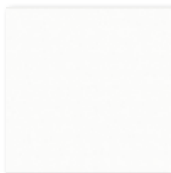


2D Ply
'S'



3D Ply²
'M'

Frame



Satin White
'K'



Satin Black
'P'

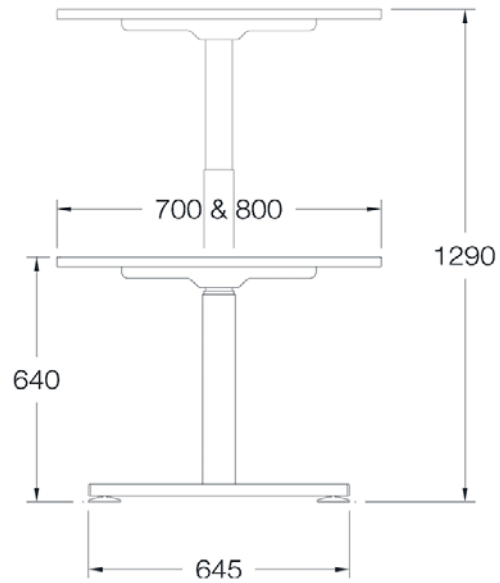
Notes

¹ Special Worksurface Finish, choose more colour options from the Swiss Krono One World Collection [here](#).

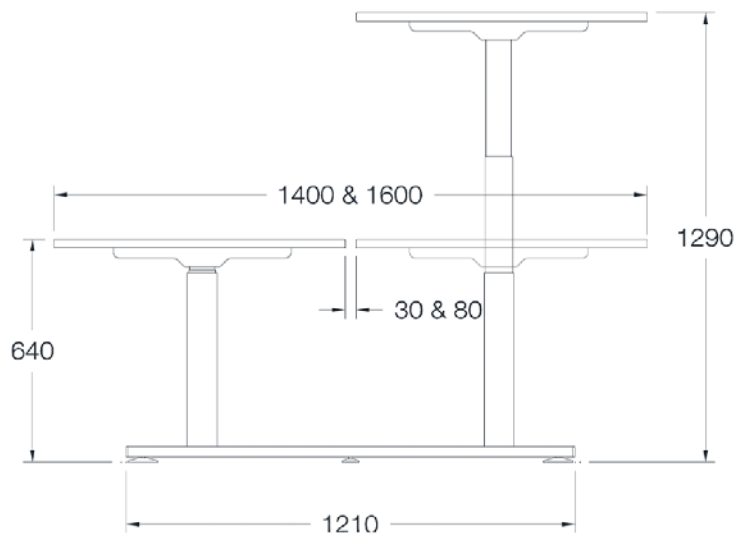
² Premium Edge Finish 3D Ply 'M'

Dimension Guide

Electric Height Adjustable Desk

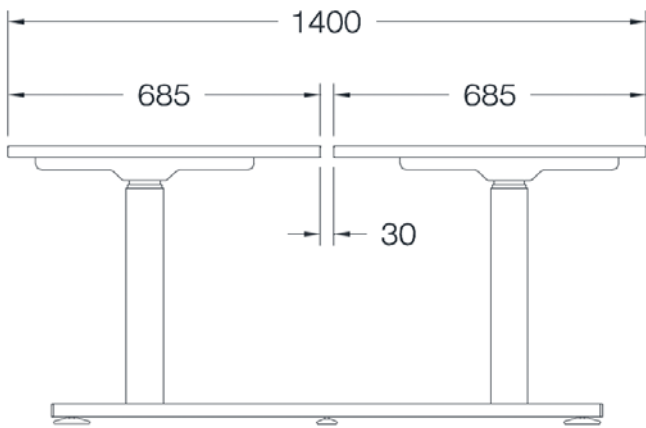


Electric Height Adjustable Bench

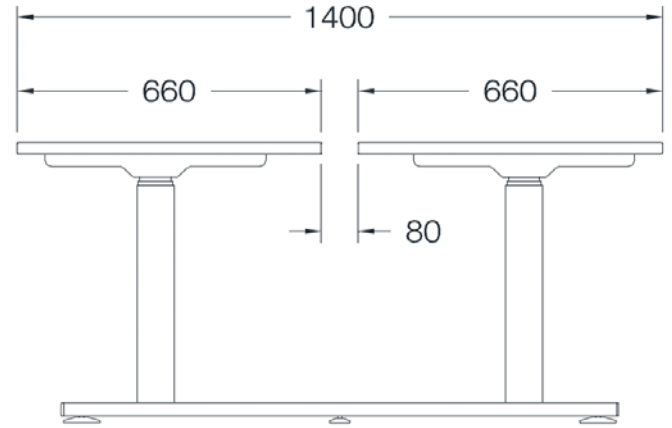


Bench Top Panel Depths

Bench Module 1400mm Deep

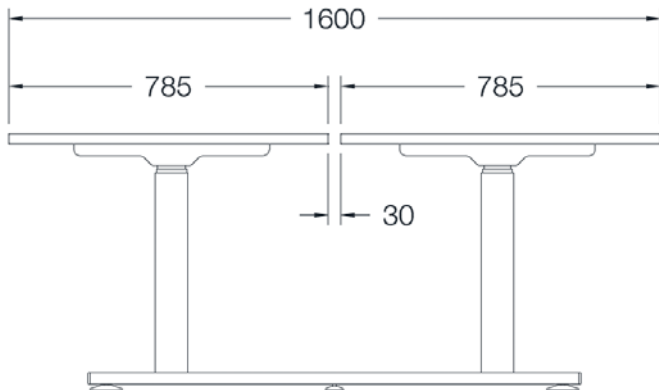


Cable Gap 30mm – Ref: 'G'

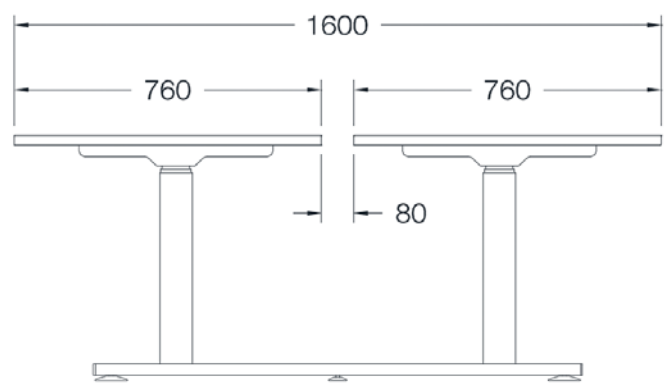


Screen Gap 80mm – Ref: 'P'

Bench Module 1600mm Deep



Cable Gap 30mm – Ref: 'G'



Screen Gap 80mm – Ref: 'P'

Showroom

Conveniently located in London, our newly refurbished Clerkenwell showroom exhibits Staverton's wide range of products. Come and visit us to see our offering for yourself.

[17-18 Hayward's Place](#)
[London, EC1R 0EQ](#)

Stay in Touch

To find out more or book an appointment, please contact us.

+44 (0)20 3794 1200
info@staverton.co.uk
staverton.co.uk



Staverton reserves the right to alter the prices and specifications without notice.



012



The mark of responsible forestry

