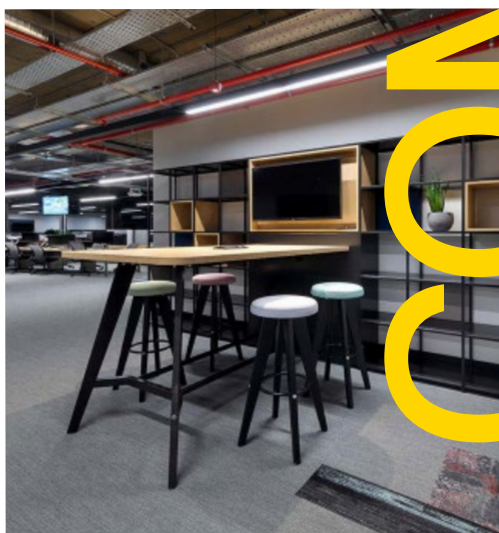




Quick Overview

88 Tables & Stools

April 2025



WELCOME TO OUR WORLD

Staverton has a longstanding history in office furniture design. We are recognised for bringing form, function and flexibility together without compromise. By involving our clients at every stage of the work process, we find –together– the right solution for their specific needs.

British and proud, we have a manufacturing facility in South Yorkshire and a showroom in Clerkenwell, London. With the latest BAZ processing machinery recently installed, the factory has more than 38,000 sq ft of space for manufacture and assembly and ample room for our design team to turn client requirements into fully developed designs.

Staverton's skilled team of professionals is committed to delivering the highest quality requirements: our products are designed to achieve FIRA's gold standard, the world's leading independent furniture testing centre. Our bespoke approach, innovative design and collaborative method have earned us a name as a responsible and reliable award-winning British manufacturer.

We comply with all industry regulations, including the supply of responsibly sourced wood, on-site personnel safety and conduct, quality control, and adherence to management standards such as ISO 9001, ISO 14001, BSI Membership, Safe Contractor Certificate, FIRA Gold Certificate, FISP Membership and FSC Certificate.



012



The mark of responsible forestry



POSITIVE CHANGE



We need to be the change we want to see. Leading by example while learning from others is the best way to drive change.

Business as usual is no longer enough. Nor is merely complying with regulations. We must do more than is expected of us. We need to improve each day. We need to understand our whole impact on the world. And we need to work together to ensure that we learn from each other and drive change.

There is an onus on us not just as manufacturers and designers of products but as individuals. Sustainability can be designed into systems and products, but the real change we need to see is in our attitudes and behaviours. We are all in this together and we all have a role to play.

[Join Us](#)

Respect for the environment is in Staverton's DNA. We care for our setting by creating sustainable, environmentally friendly products.





ANNIVERSARY

Launched to mark our 88th year, the Staverton 88 Collection is a versatile range of desks, benches and tables that combines our trademark flexibility and quality workmanship with strong aesthetic detailing.

Offering a softer alternative to the all-steel framework, the 88 Collection is characterised by its signature solid oak leg which offers strength, natural warmth and durability.

As with all our products, discreet cable management is achieved with optional cable trays and risers. Plus, our ability to adapt the range to suit your specific needs, guarantees the perfect product without compromise.

Combining Flexibility and Workmanship



Contemporary and versatile table and seating options for break-out areas, meeting spaces and more.

Poseur height tables can be configured as square, circular or rectangular with a range of lengths and widths to suit your needs.





A lifetime framework warranty and a 10-year warranty on top panels.



Coffee Tables

Available in a wide range of tabletop finishes, 88 Collection coffee tables can be specified in three and four-legged versions, and three different heights.



Discrete Cable Management

Worksurface Corner Options

Different worksurface corner options allow you to make 88 Collection that bit more personal. Custom shapes and sizes are all possible.



Stools and Bench Seats

Four seating options complement the 88 Collection perfectly. All include a luxury seat pad which is available in a wide range of fabrics.



Standard Height Tables



**Rectangular Standard
Height Tables**



**Standard Height Table
with Intermediate Legs**



Poseur Height Tables



Standard Width Poseur Height Table

Large Poseur Height Table with Intermediate Legs



Narrow Poseur Height Table



Coffee Tables



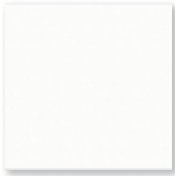
Rectangular Coffee Table



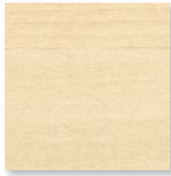
Circular Coffee Table

Finishes

Standard Worksurfaces and ABS Edge Finishes (25mm Thick Melamine)



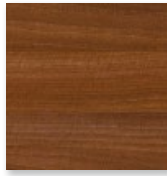
Traffic White
W1000



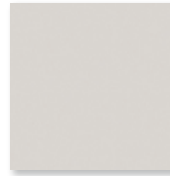
Sand Birch
H1732



Oak
D1929



Walnut
H3704



Light Grey
U708

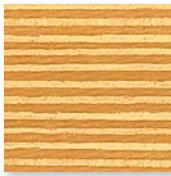


Anthracite
U164

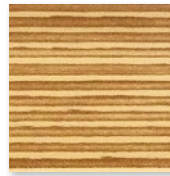
Contrast Edging



Black
U999



2D Ply
'S'



3D Ply¹
'M'

Frame

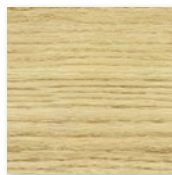


Traffic White
W1000

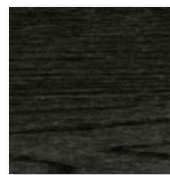


Black
U999

Legs



Natural Oak
'O'



Oak Stained
Black
'J'

Notes

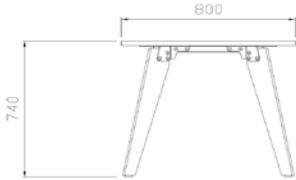
Please note that due to the manufacturing process, some finish consistencies may occur. Every component is unique. Please note that due to the organic nature of the Oak, some finish inconsistencies may occur.

¹ Premium Edge Finish - 3D Ply 'M'

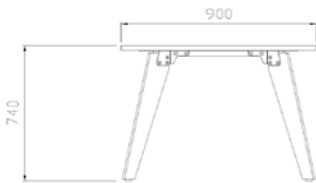
Standard Height Tables – End Elevations

Rectangular Tables – 4, 6 & 8 Legs

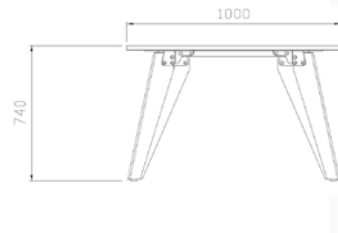
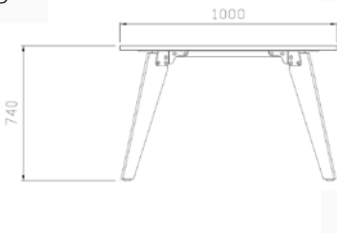
800D - 4 Legs



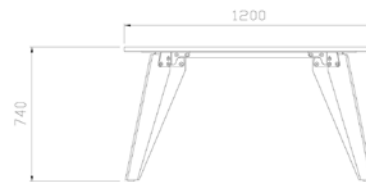
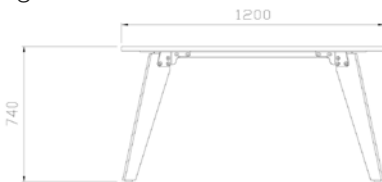
900D - 4 Legs



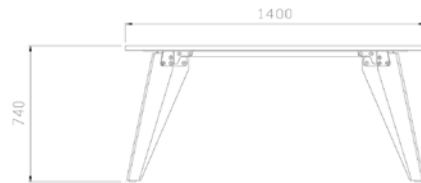
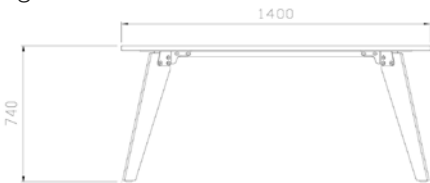
1000D - 4, 6 Legs



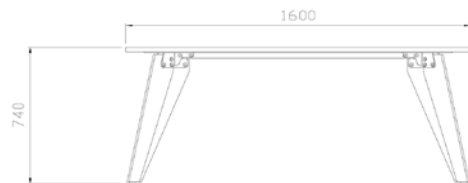
1200D - 4, 6, 8 Legs



1400D - 4, 6, 8 Legs

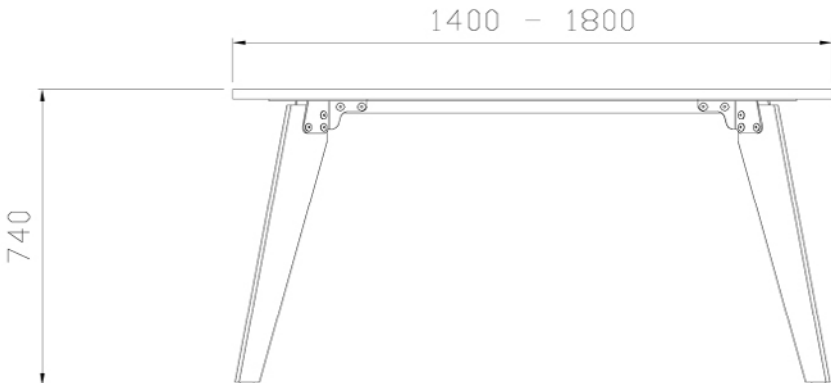
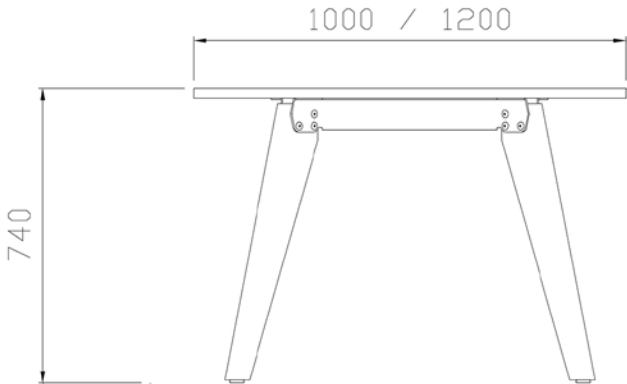
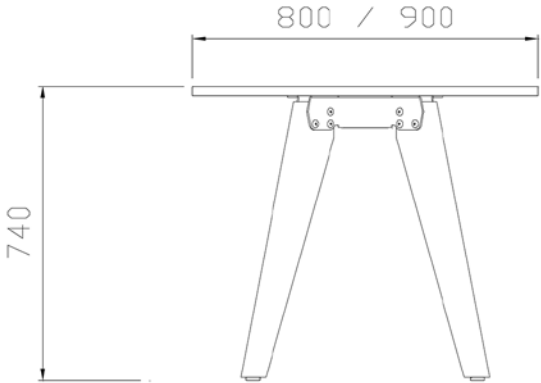


1600D - 6, 8 Legs



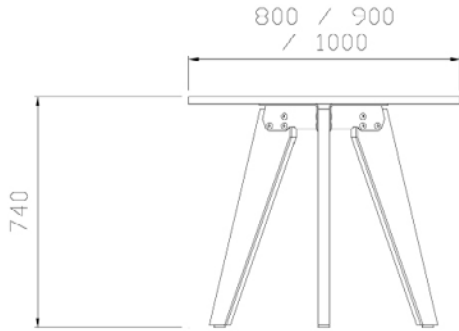
Standard Height Tables – End Elevations (Cont.)

Square Tables – 4 Legs

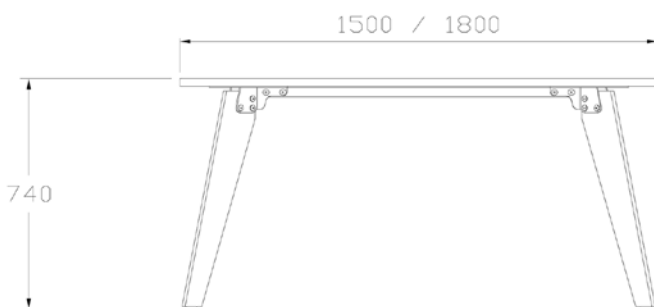
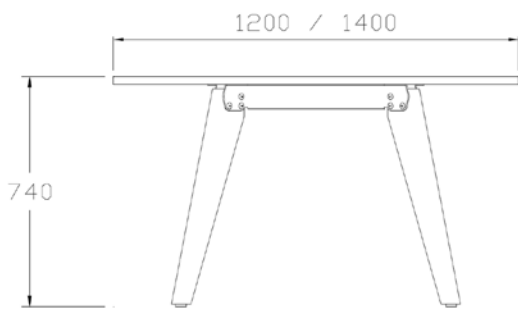
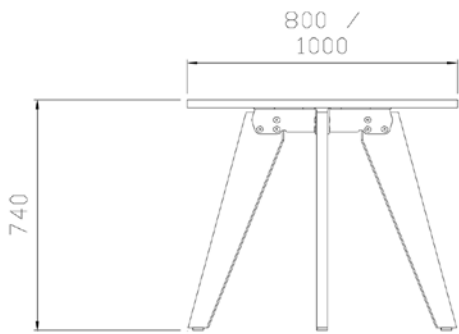


Standard Height Tables – End Elevations (Cont.)

Round Tables – 3 Legs



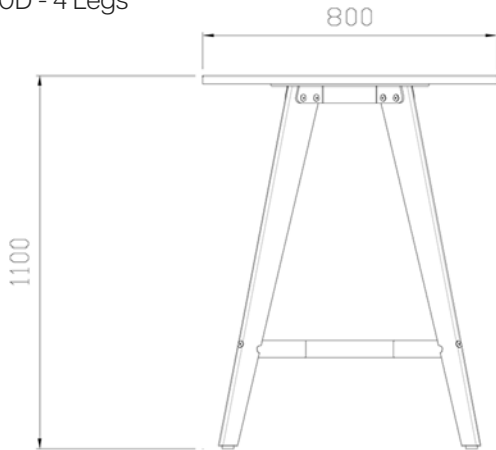
Round Tables – 4 Legs



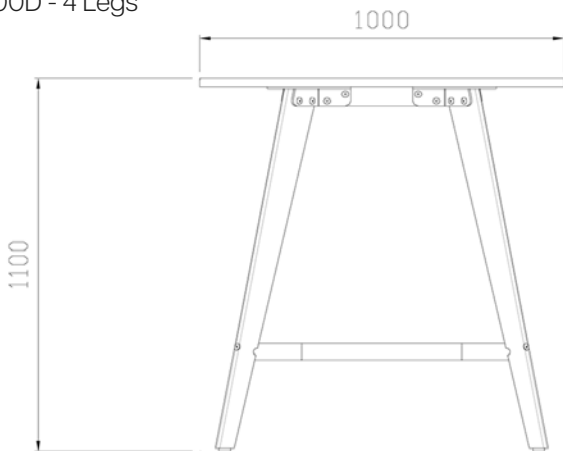
Poseur Height Tables – End Elevations

Rectangular Tables – 4, 6 and 8 Legs

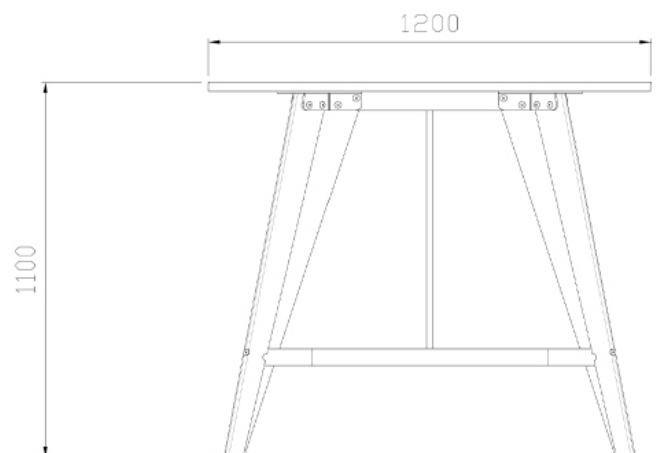
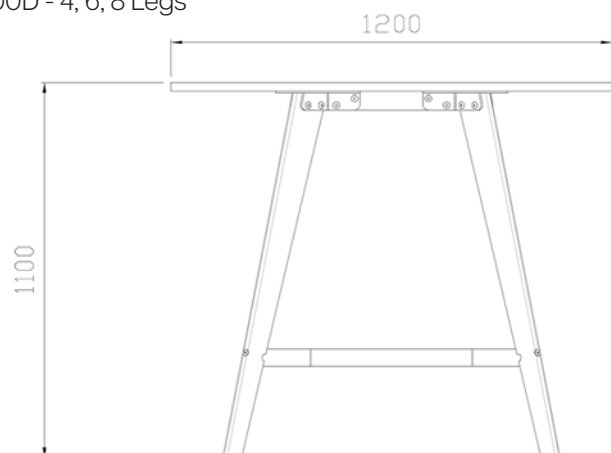
800D - 4 Legs



1000D - 4 Legs

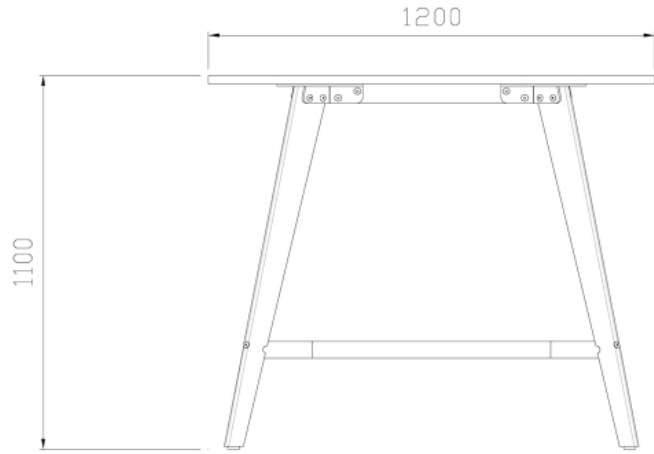
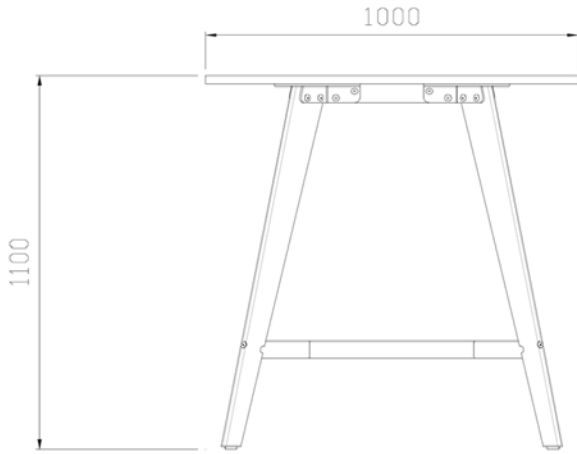


1200D - 4, 6, 8 Legs

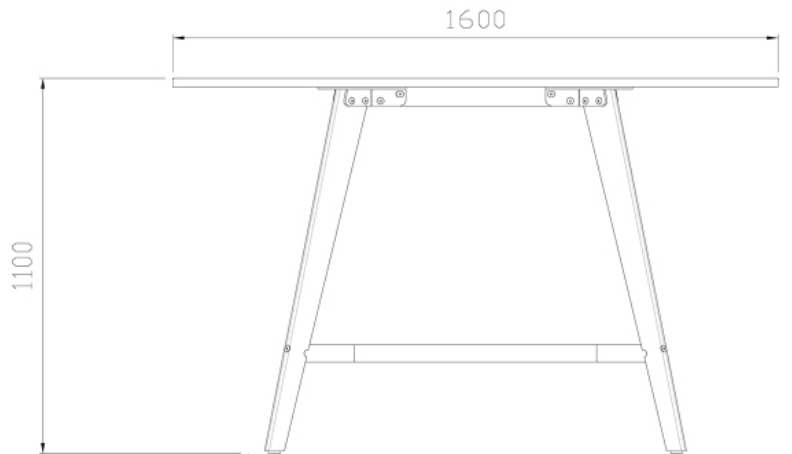
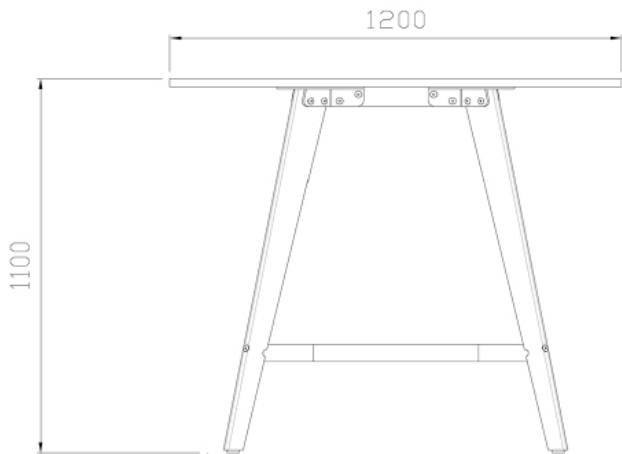
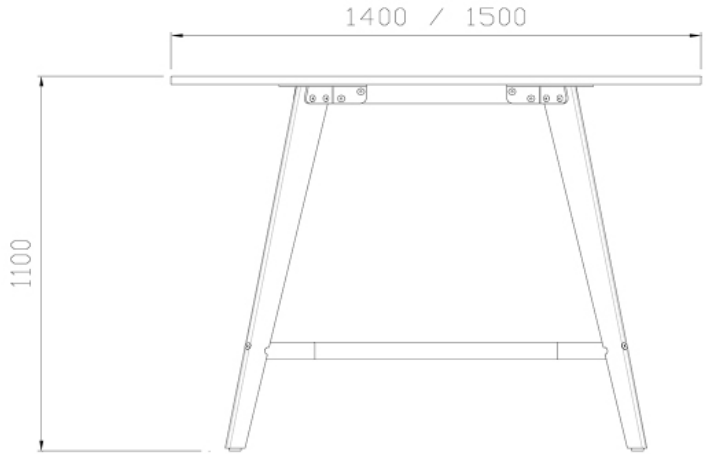
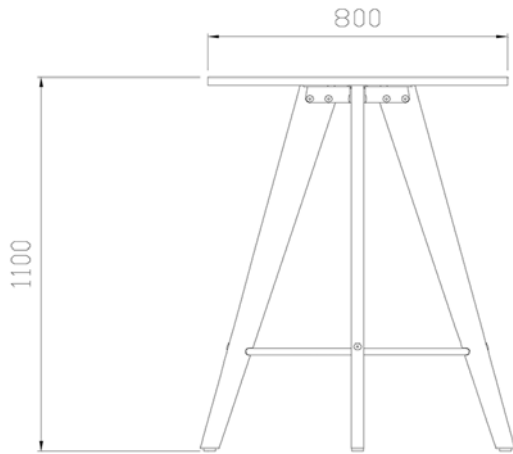


Poseur Height Tables – End Elevations (Cont.)

Square Tables – 4 Legs

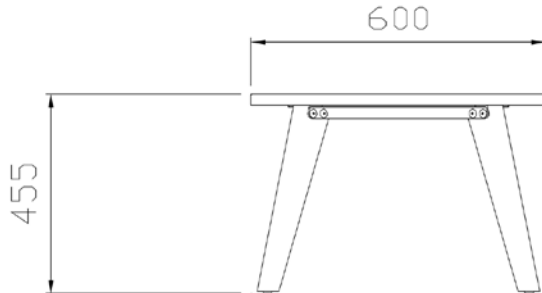
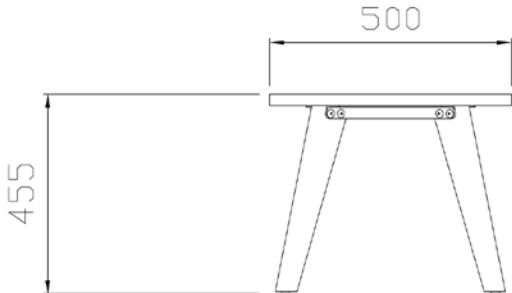


Round Tables – 4 Legs

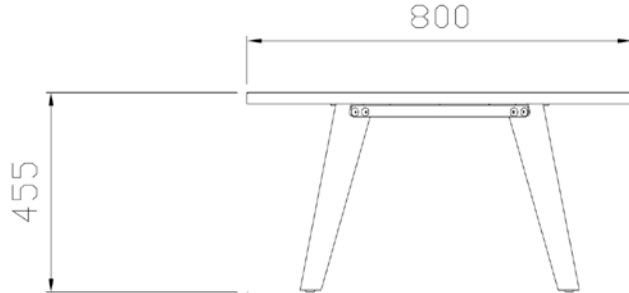
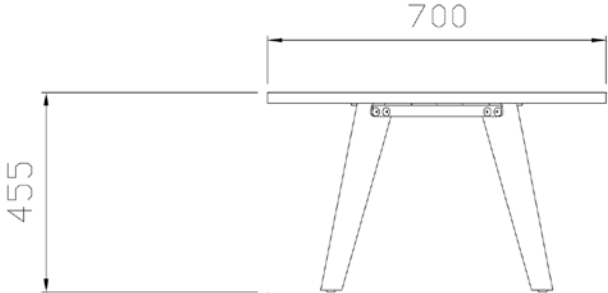


Coffee Tables – End Elevations

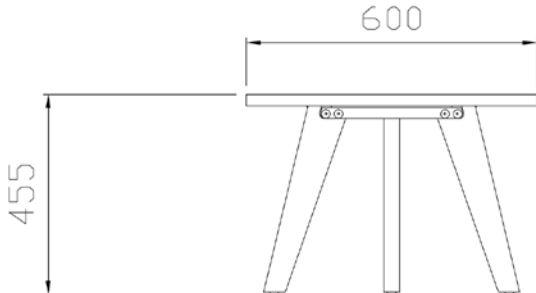
Rectangular



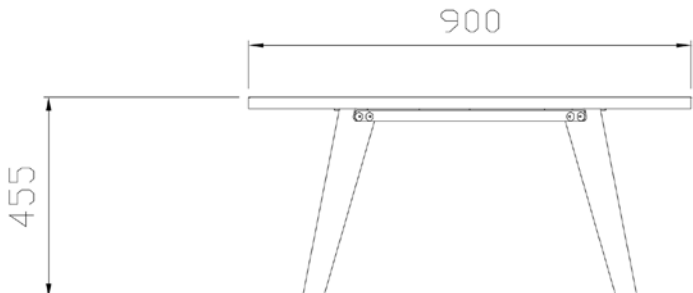
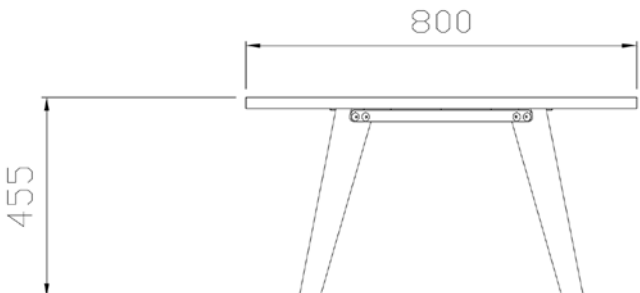
Square



Round – 3 Legs



Round – 4 Legs



Showroom

Conveniently located in London, our newly refurbished Clerkenwell showroom exhibits Staverton's wide range of products. Come and visit us to see our offering for yourself.

[17-18 Hayward's Place](#)
[London, EC1R 0EQ](#)

Stay in Touch

To find out more or book an appointment, please contact us.

+44 (0)20 3794 1200
info@staverton.co.uk
staverton.co.uk



Staverton reserves the right to alter the prices and specifications without notice.

