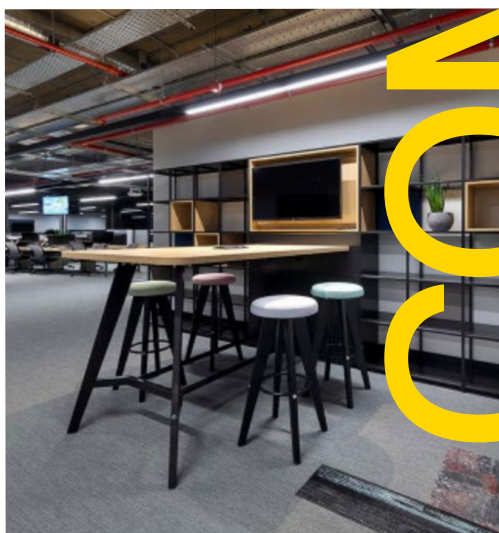




Quick Overview

88



WELCOME TO OUR WORLD

Staverton has a longstanding history in office furniture design. We are recognised for bringing form, function and flexibility together without compromise. By involving our clients at every stage of the work process, we find –together– the right solution for their specific needs.

British and proud, we have a manufacturing facility in South Yorkshire and a showroom in Clerkenwell, London. With the latest BAZ processing machinery recently installed, the factory has more than 38,000 sq ft of space for manufacture and assembly and ample room for our design team to turn client requirements into fully developed designs.

Staverton's skilled team of professionals is committed to delivering the highest quality requirements: our products are designed to achieve FIRA's gold standard, the world's leading independent furniture testing centre. Our bespoke approach, innovative design and collaborative method have earned us a name as a responsible and reliable award-winning British manufacturer.

We comply with all industry regulations, including the supply of responsibly sourced wood, on-site personnel safety and conduct, quality control, and adherence to management standards such as ISO 9001, ISO 14001, BSI Membership, Safe Contractor Certificate, FIRA Gold Certificate, FISP Membership and FSC Certificate.



012



The mark of responsible forestry





POSITIVE CHANGE

We need to be the change we want to see. Leading by example while learning from others is the best way to drive change.

Business as usual is no longer enough. Nor is merely complying with regulations. We must do more than is expected of us. We need to improve each day. We need to understand our whole impact on the world. And we need to work together to ensure that we learn from each other and drive change.

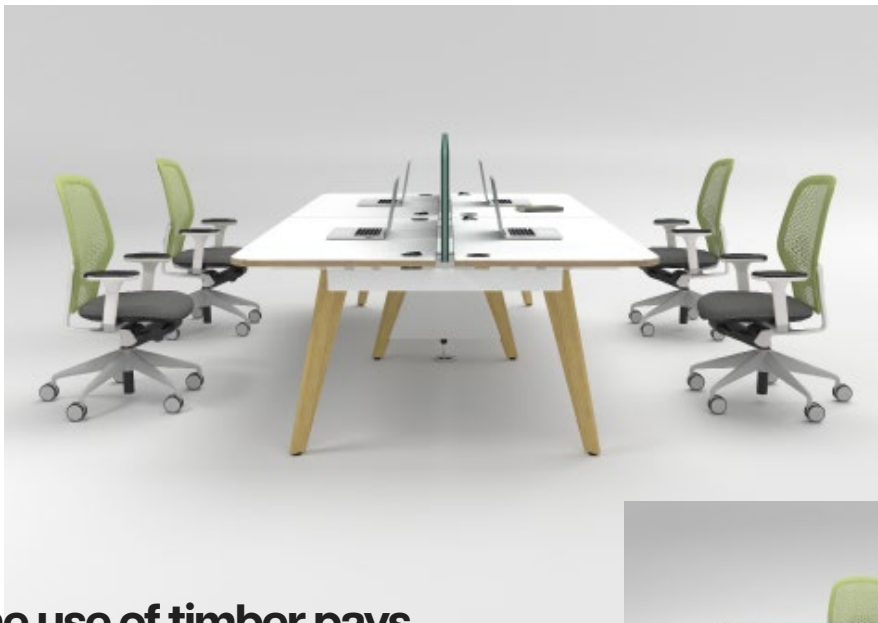
There is an onus on us not just as manufacturers and designers of products but as individuals. Sustainability can be designed into systems and products, but the real change we need to see is in our attitudes and behaviours. We are all in this together and we all have a role to play.

[Join Us](#)

Respect for the environment is in Staverton's DNA. We care for our setting by creating sustainable, environmentally friendly products.



Versatile Steel/Timber Hybrid Collection



The use of timber pays tribute to Staverton's woodworking history and heritage while simultaneously matching current trends in office furniture design.



ANNIVERSARY

The Staverton 88 collection, which includes attractive desk, bench and table solutions, was introduced as part of our 88th anniversary celebrations.

Staverton 88 combines great aesthetic detailing and exceptional craftsmanship to provide flexible and space-efficient solutions.

The hybrid steel/timber frame combines the flexibility and efficient use of space provided by a telescopic metal beam with natural solid timber legs – making it a great alternative to an 'all steel' framework solution.

This elegant and functional furniture system brings a welcoming touch of home to any office environment.



Mass Cable Riser Leg

In keeping with all Staverton ranges, 88 also includes discreet cable and power systems management as well as a wide variety of screen options.

Telescopic Metal Beam

The flexibility of a telescopic metal beam is used to create the substructure which fuses perfectly with solid timber legs to create the hybrid steel/timber frame.



Typical Desk Configuration

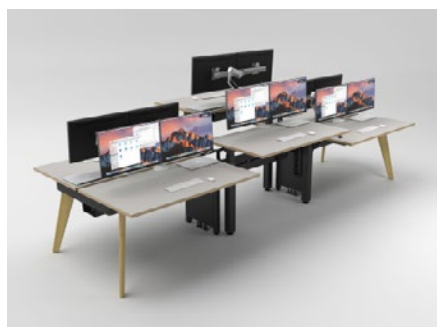
88 can be configured as a desk or a bench, and like all of our ranges, 88 provides effective and discreet cable management through the use of optional cable trays and risers.

Hygge Inspired Design

The concept of Hygge signifies cosiness and a sense of belonging. When applied to workplace design, it creates spaces that enhance our comfort and wellbeing.

Extended Collection Products

The Staverton 88 collection has a wide range of options including desks, benches, meeting tables and poseur height tables to encourage standing, together with a complementary range of high and low stools. If you're looking for something different, we can adapt the products to meet your requirements, too.

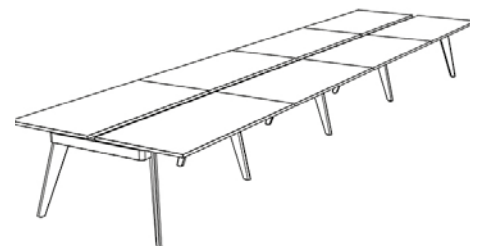
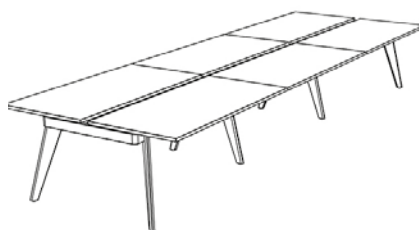




Typical Bench Configuration



Four-Person Back-To-Back Bench



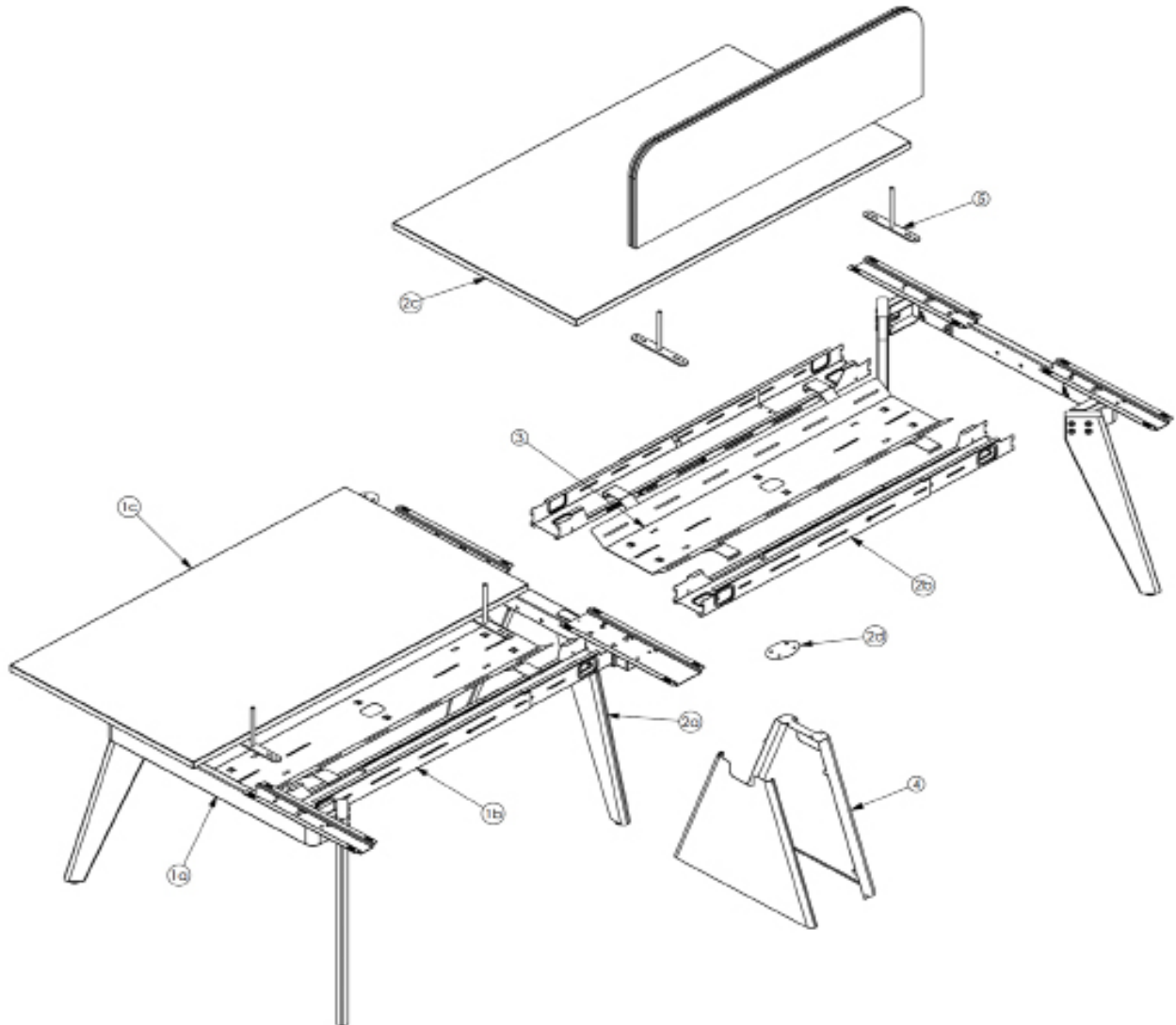
Typical back-to-back bench configurations, two-person, six-person and eighth-person.

Typical Desk Configuration



Single-Person Desk

Bench Assembly



Bench Module

Consisting of:

- 1a) 2x Bench End Leg Frame
- 1b) 2x Telescopic Cable Managed Beam
- 1c) 2x Top Panel

2) Bench Extension

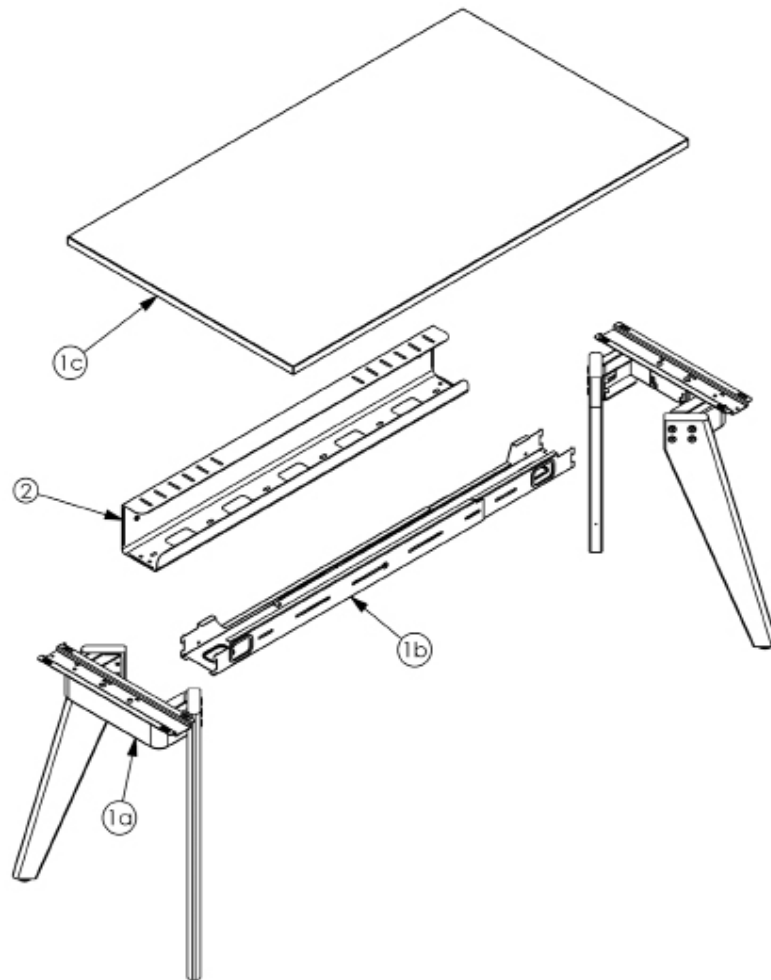
Consisting of:

- 2a) 1x Bench Intermediate Leg Frame
- 2b) 2x Telescopic Cable Managed Beam
- 2c) 2x Top Panel
- 2d) 2x Junction Connector Plate
(on 1600d Top Panels Only)

Accessories to Be Ordered Separately

- 3) 2x Bench Cable Tray
- 4) 1x Mass Cable Riser
- 5) 2x Pairs Bench Screen Bracket

Desk Assembly



1) Desk Module

Consisting of:

1a) 2x Desk End Leg Frame

1b) 1x Telescopic Cable Managed Beam

1c) 1x Top Panel

Accessories to Be Ordered Separately

2) 1x Desk Worksurface Mounted Wire Management Tray



Fabric Band Information

Fabric Band B



Camira Lucia

Fabric Band C



Camira Blazer Lite

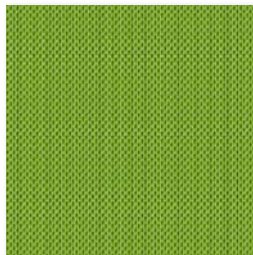
Fabric Band E



Camira Blazer



Camira Synergy



Camira Nexus

Notes

All fabrics are foam backed with 2mm or 3mm foam backing (as appropriate) to achieve the best possible finish and feel.

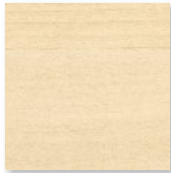
Finishes



Standard Worksurfaces and ABS Edge Finishes (25mm Thick Melamine)



Traffic White
W1000



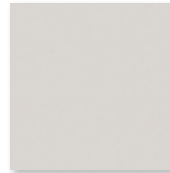
Sand Birch
H1732



Oak
D1929



Walnut
H3704



Light Grey
U708



Dust Grey
U732



Anthracite
U164

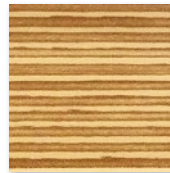
Contrast Edging



Black
U999



2D Ply
'S'



3D Ply¹
'M'

Frame

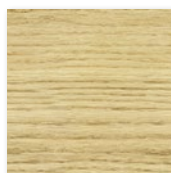


Satin White
'K'

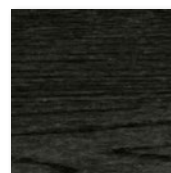


Satin Black
'P'

Legs



Natural Oak
'O'



Oak Stained
Black
'J'

Notes

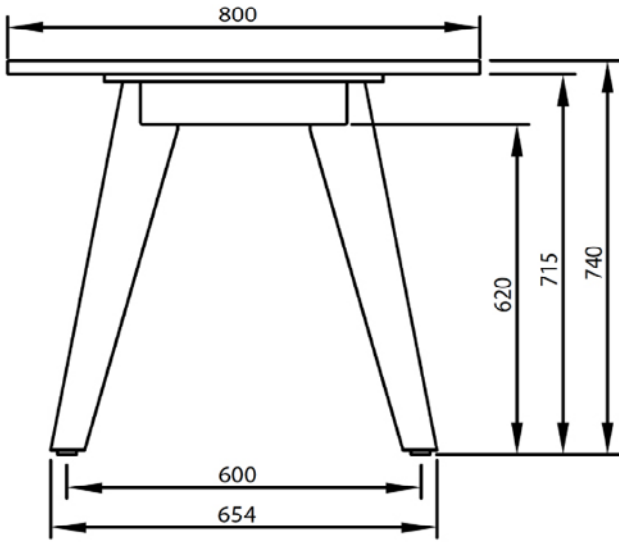
Please note that due to the manufacturing process, some finish consistencies may occur. Every component is unique. Please note that due to the organic nature of the Oak, some finish inconsistencies may occur.

¹ Premium Edge Finish - 3D Ply 'M'

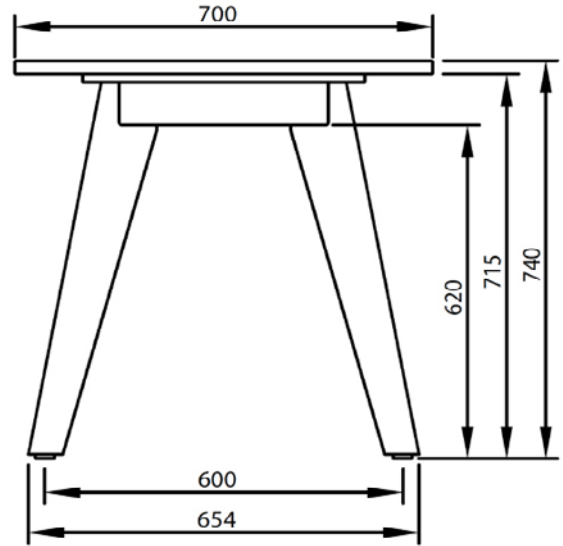


Dimension Guide

Desk

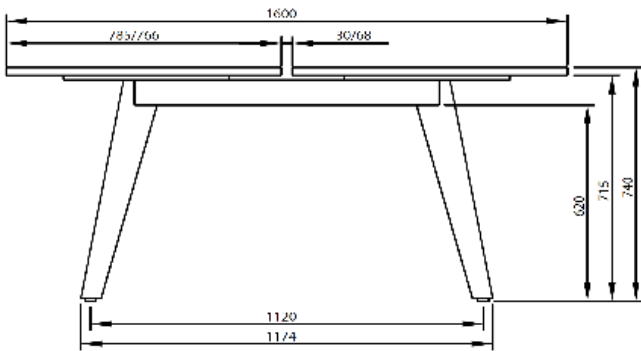


800 Desk Leg

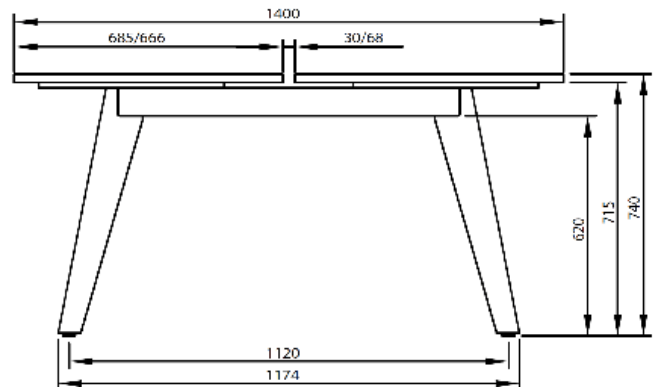


600 Desk Leg

Bench



1600 Bench Leg

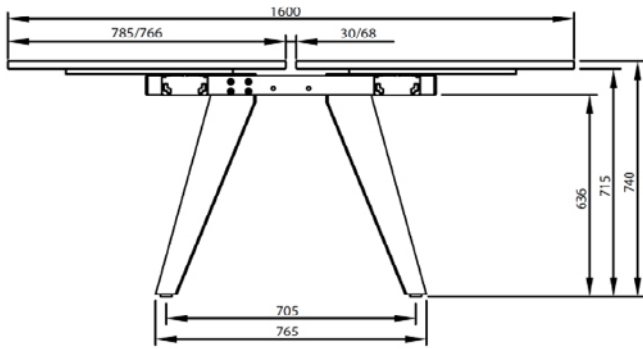


1400 Bench Leg

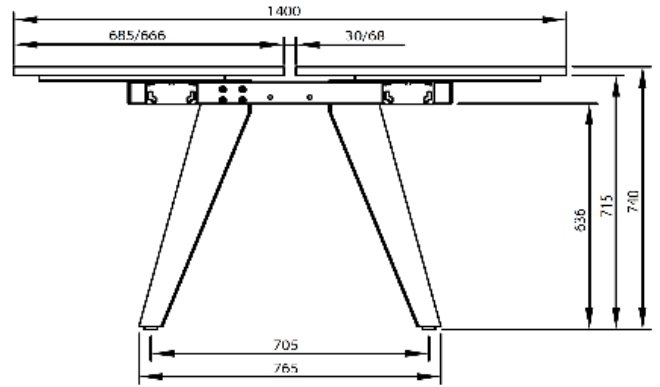
Dimension Guide



Intermediate Leg



1600 Intermediate Leg



1400 Intermediate Leg

Showroom

Conveniently located in London, our newly refurbished Clerkenwell showroom exhibits Staverton's wide range of products. Come and visit us to see our offering for yourself.

[17-18 Hayward's Place](#)
[London, EC1R 0EQ](#)

Stay in Touch

To find out more or book an appointment, please contact us.

+44 (0)20 3794 1200
info@staverton.co.uk
staverton.co.uk



Staverton reserves the right to alter the prices and specifications without notice.

